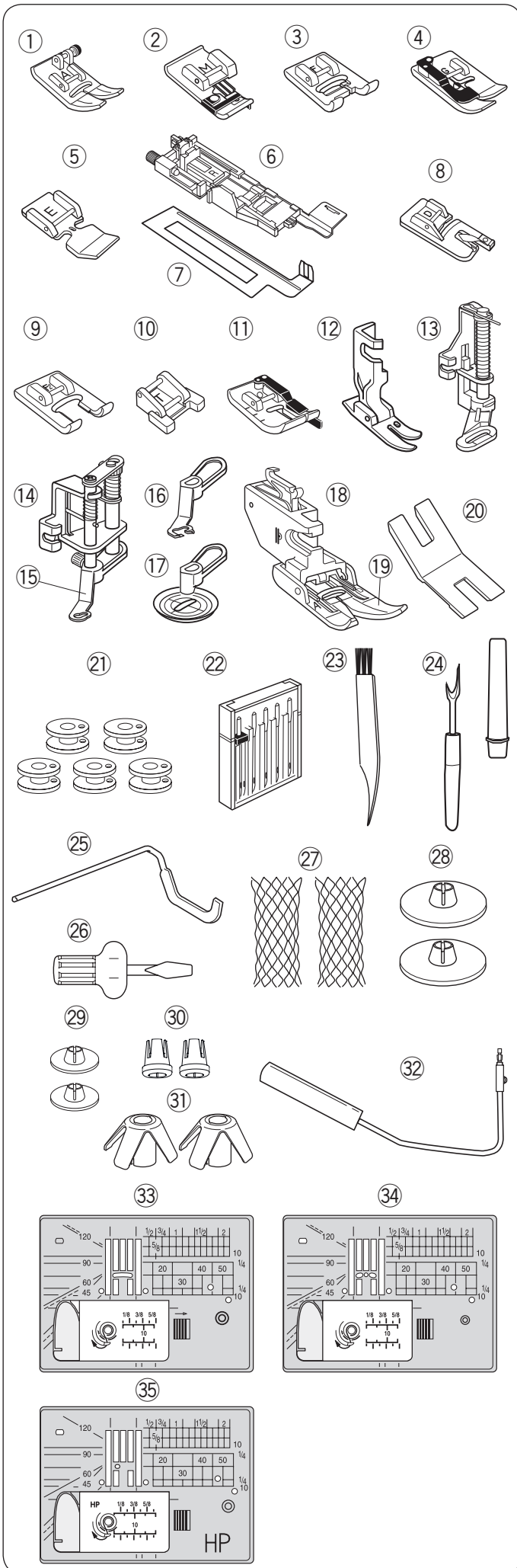
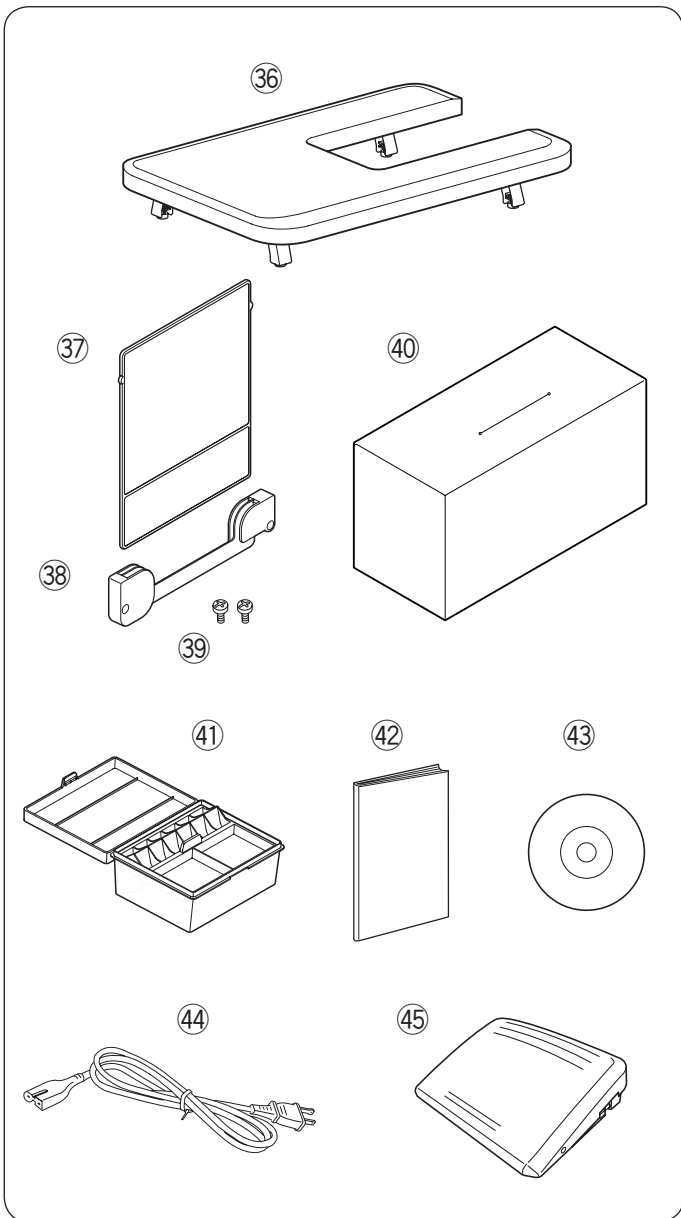


Standard Accessories

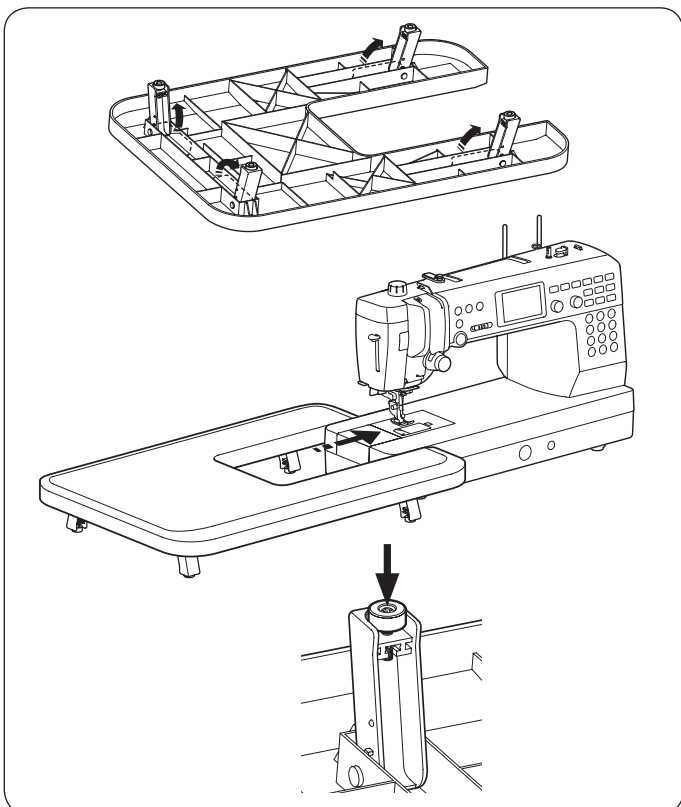
No.	Part Name	Part No.
1	Zigzag foot A (Set on the machine)	859802006
2	Overedge foot M	859810007
3	Satin stitch foot F	859806011
4	Blind hemming foot G	859807001
5	Zipper foot E	859805009
6	Automatic buttonhole foot R	862822013
7	Stabilizer plate	859832016
8	Rolled hem foot D	859804008
9	Open toe satin stitch foot F2	859813000
10	Button sewing foot T	859811008
11	1/4" seam foot O	859814001
12	Professional grade foot HP	865803006
13	Darning foot PD-H	859839002
14	Convertible free motion quilting foot QB-S	858820018
15	Close-toe foot	858820111
16	Open-toe foot	858821019
17	Clear view foot	202002521
18	Dual feed foot holder	859817015
19	Dual feed foot AD (twin)	859819109
20	Button shank plate	832820007
21	Bobbin X 5 (1 set on the machine)	102261103
22	Needle set	859856005
23	Lint brush	802424004
24	Seam ripper (Buttonhole opener)	647808009
25	Quilting guide bar	755802001
26	Screwdriver	820832005
27	Net X 2	624806006
28	Spool holder (large) X 2	822020503
29	Spool holder (small) X 2	822019509
30	Spool holder (special) X 2	862408008
31	Spool rest	770850001
32	Knee lifter	846417011
33	Needle plate (set on the machine)	861606016
34	Straight stitch needle plate	862817107
35	Professional grade needle plate	865805008





No.	Part Name	Part No.	
36	Extension table	846401001	
37	Stitch reference chart	866629009	
38	Stitch chart bracket	846285007	
39	Setscrew X 2	000163600	
40	Dust cover	767805001	
41	Accessory box	866801007	
42	Instruction book	866800006	
43	Instructional DVD	866804000	
44	Power cable*	U.S.A. and Canada	856519004
		U.K.	830377008
		Australia	830314018
45	Foot control	043170108	

*The power supply cable included may differ from the illustration.



Extension Table Attaching the table

Spread the legs of extension table.

Holding the table with both hands and slide it gently to the right.

Adjusting the table height

Turn setscrews of the table legs with a screwdriver.

NOTE:

A Phillips screwdriver is required for adjusting the extension table height.